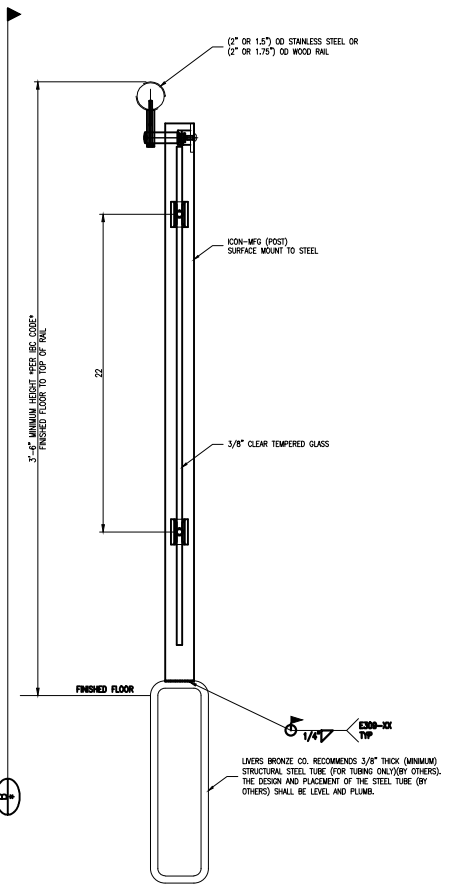
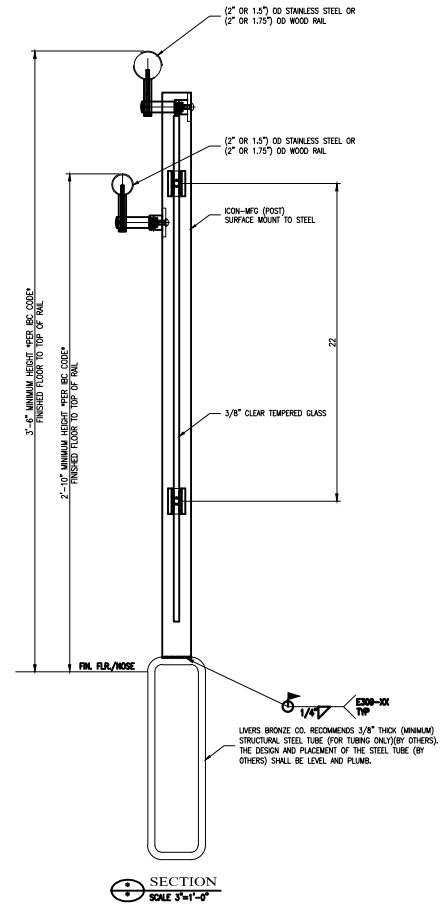
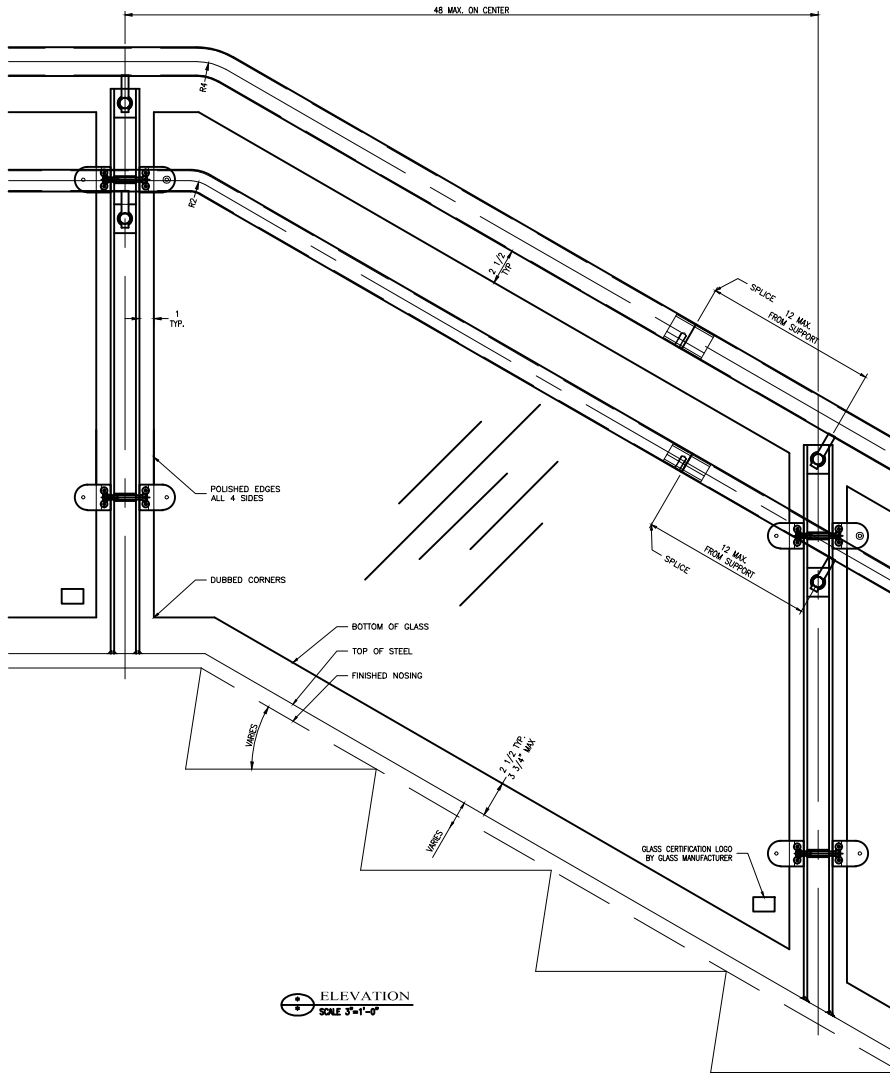
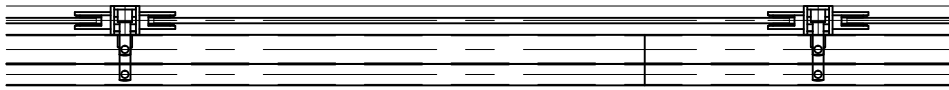
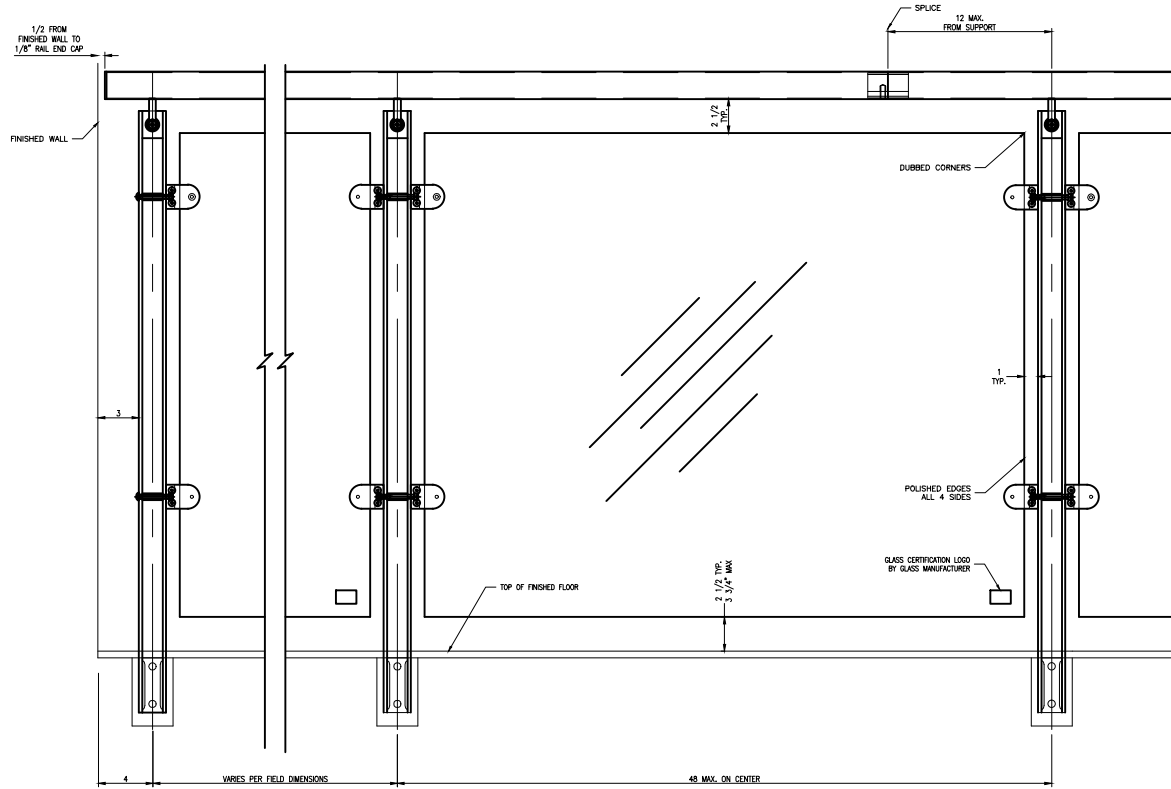
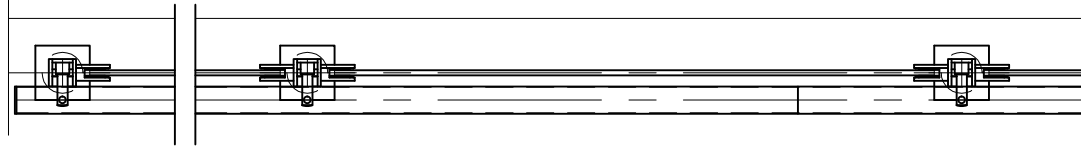


ELEVATION
3'-1'-0"

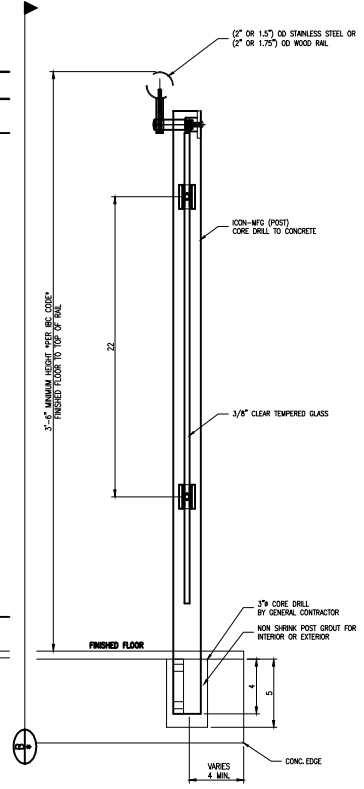


SECTION
3'-1'-0"

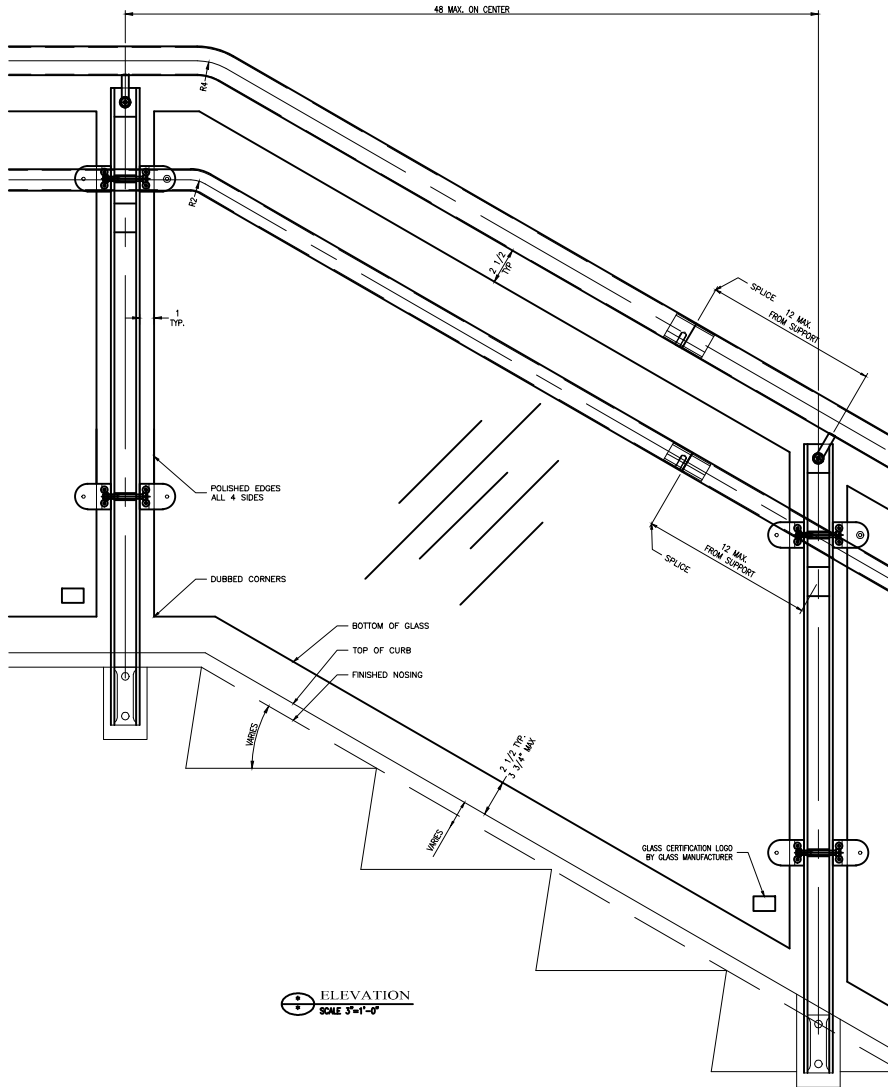
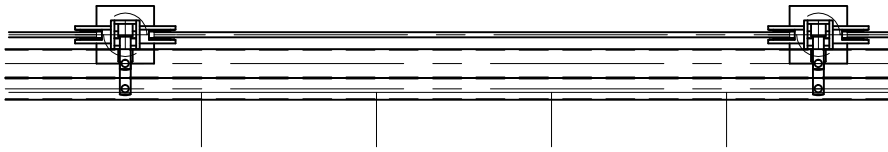




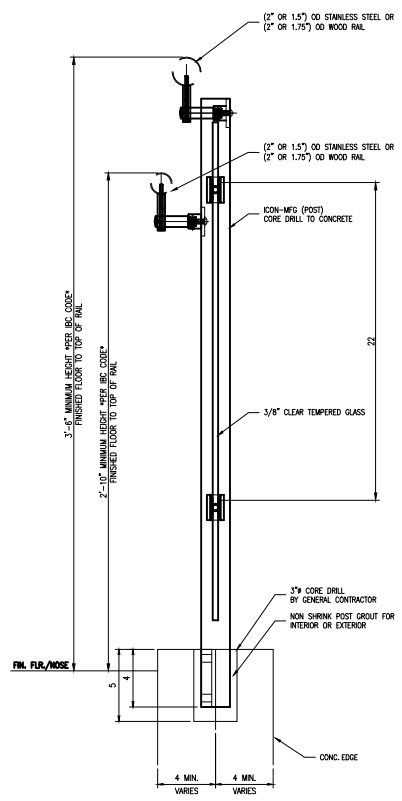
ELEVATION
3'-1"-0"



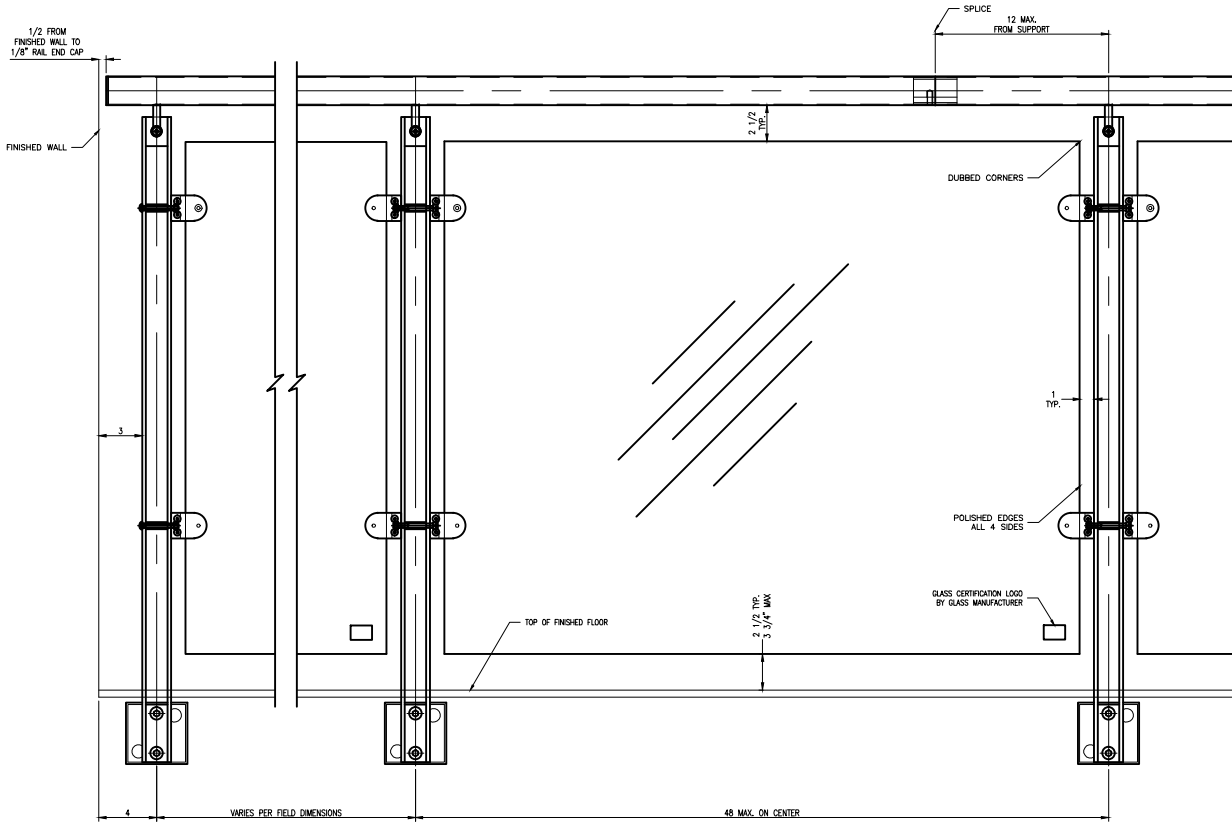
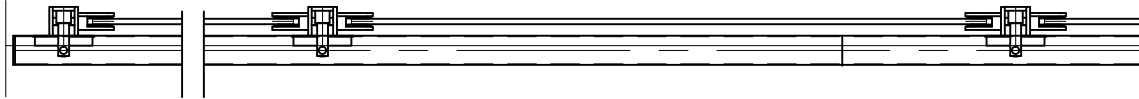
SECTION
3'-1"-0"



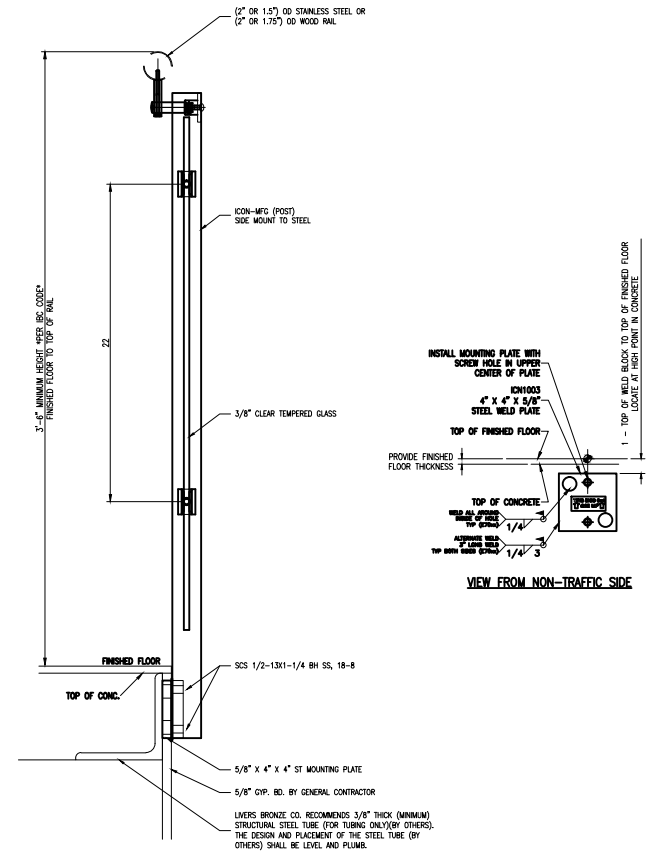
ELEVATION
SCALE 3/4"=1'-0"



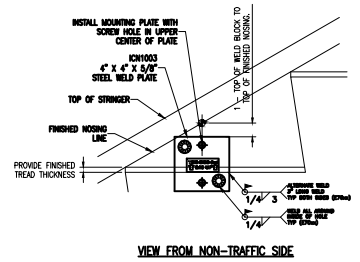
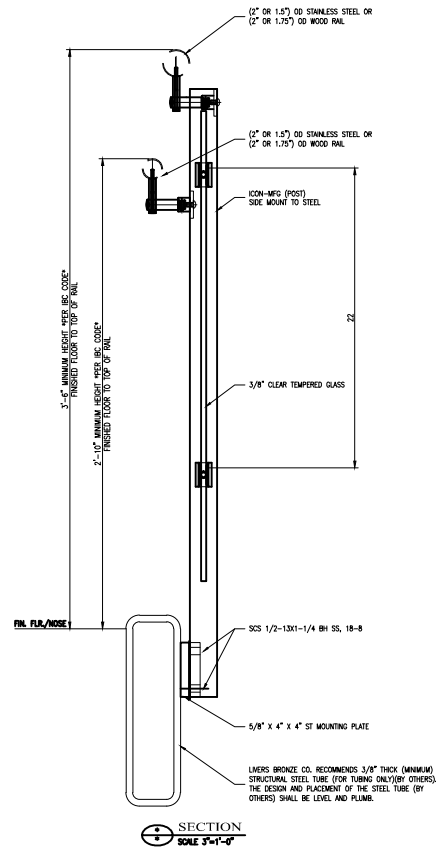
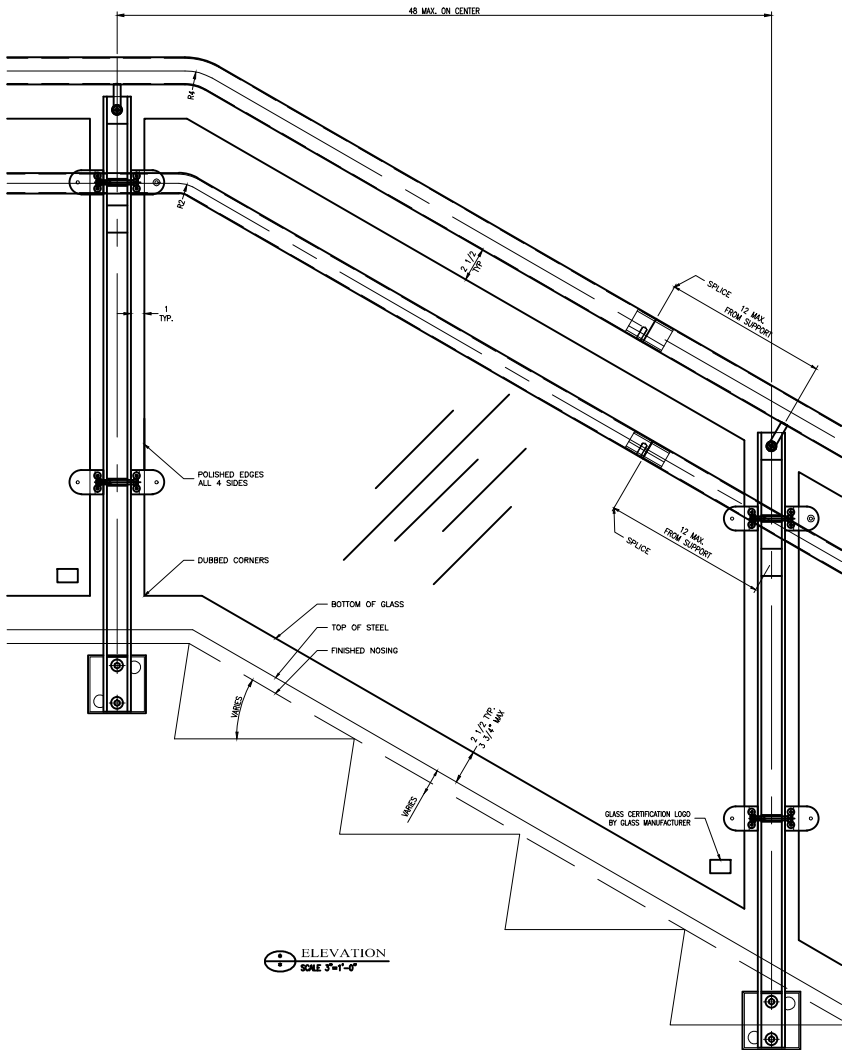
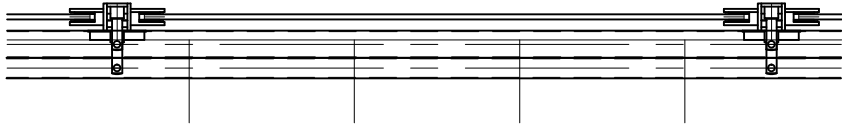
SECTION
SCALE 3/4"=1'-0"

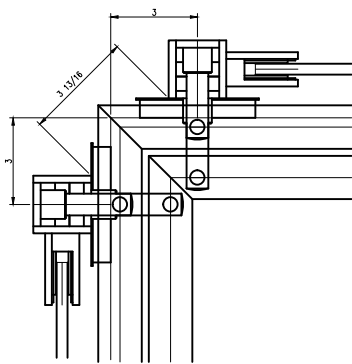


ELEVATION
SCALE 3/4"=1'-0"

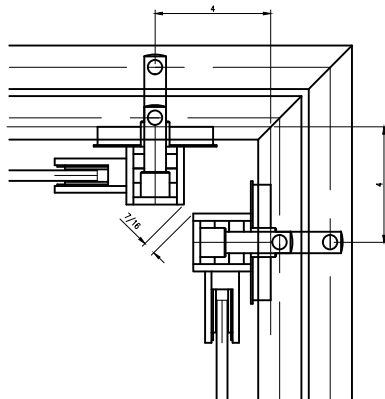


SECTION
SCALE 3/4"=1'-0"

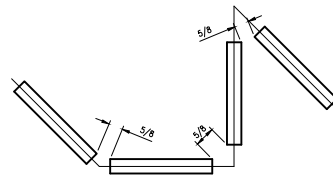




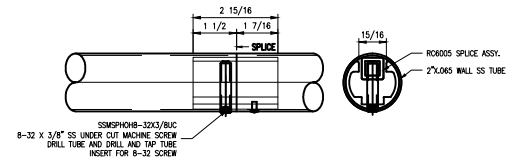
OUTSIDE CORNER DETAIL
SCALE 6" = 1'-0"



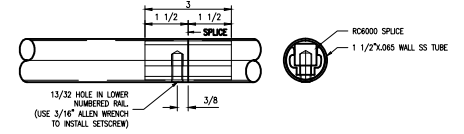
INSIDE CORNER DETAIL
SCALE 6" = 1'-0"



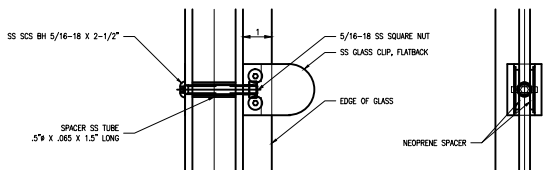
TYPICAL GLASS CORNERS DETAIL
SCALE 6" = 1'-0"



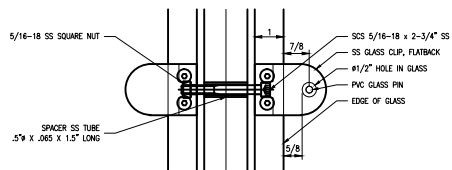
FACTORY CUT SPLICE
SCALE 6" = 1'-0"



FACTORY CUT SPLICE
SCALE 6" = 1'-0"



GLASS CLIP
SCALE 6" = 1'-0"



GLASS CLIP
SCALE 6" = 1'-0"